



Chain GAS35 D1558

LED Linear Outward Light

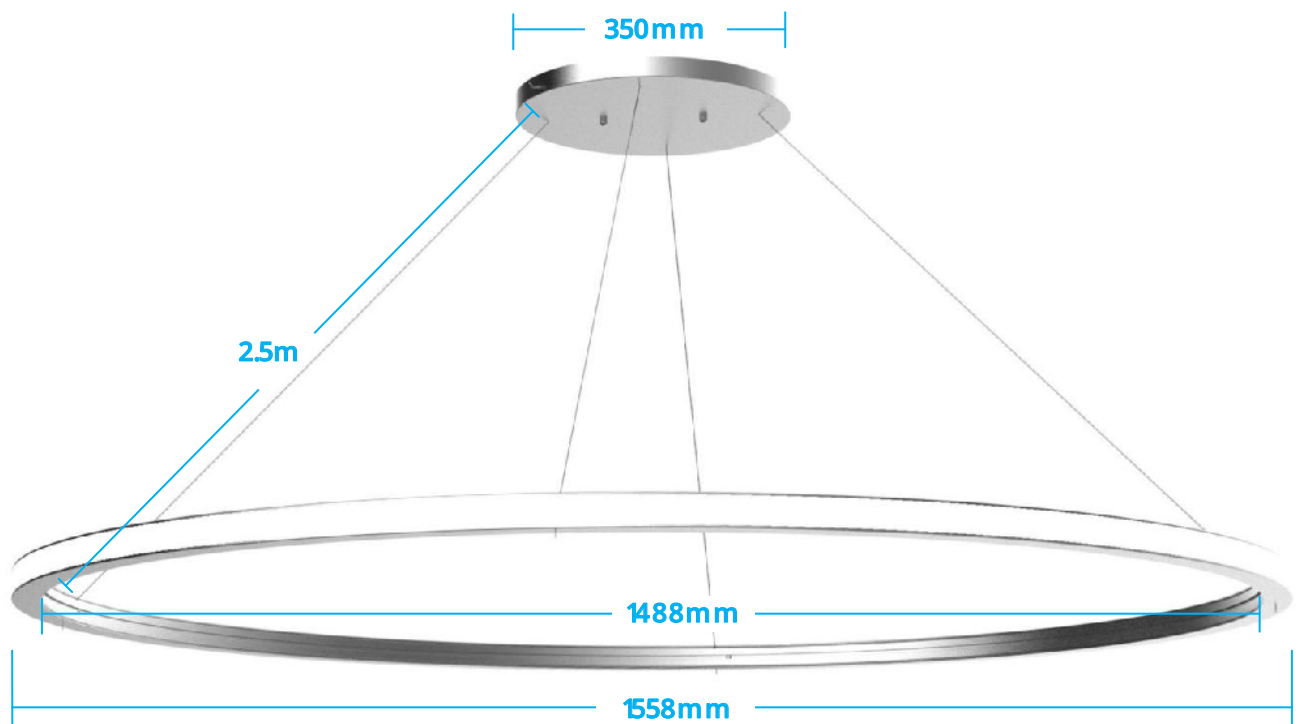


greenlux
cost reduction LED lighting

Chain GAS35 D1558

LED Linear **Outward** Light

GREENLUX CURVE LIGHTING WITH LIMITLESSNESS - GAS35 stylish lighting system, through the sublimation from straight line to curve, transformation from 2D to 3D, linear lighting is brought with a brand -new revolutionary experience. The basic modules can constitute standard circular luminaires with the diameter of 0.8m/1.5m/3.0m for independent application. Multiple light emitting directions are optional: lighting downward, lighting outward and lighting inward. The light emitting modes are optional according to the scenes as well, so as to create different atmospheres.



- Φ 1.5M, circular luminaires of lighting outward;
- High quality surface treatment, three optional colors of black, white and silver;
- Adopt silicone flexible diffuser, producing homogenous & soft lighting;
- Pendant cable and wire in one, beautiful overall effect;
- Two installation ways: pendant and surface mounted.

Chain GAS35 D1558

LED Linear Outward Light

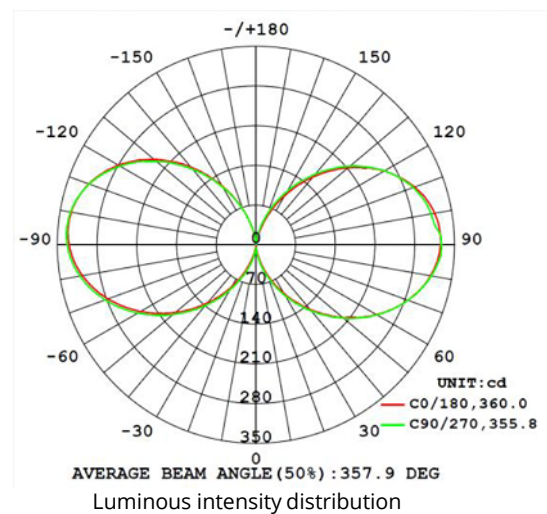
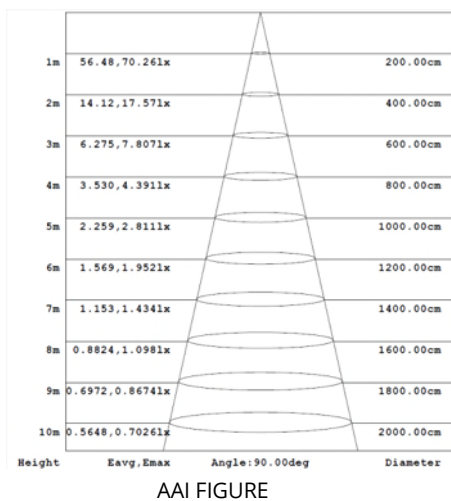
Optical & electronic data

| Model | Size | CCT | Flux (lm) | CRI | Beam angle | Input voltage | Dimming | PF | Power (w) |
|--|---|-------|-----------|------------|------------|-----------------------|---------------------------------------|------|-----------|
| GCCHA-GAS35-D1558-105W (including power supply) | Φ1500mm, lighting outward, 360° luminaires | 1900K | 2240LM | >80 >90 | 120° | 100~265VAC 50/60Hz | Non-dimmable Dimmable (options) | >0.9 | 105W |
| | | 2300K | 2360LM | | | | | | |
| | | 2700K | 2480LM | | | | | | |
| | | 3000K | 2610LM | | | | | | |
| | | 3500K | 2750LM | | | | | | |
| | | 4000K | 2890LM | | | | | | |
| | | 5000K | 3030LM | | | | | | |
| GCCHA-GAS35-D1558-90W (no power supply) | Φ1500mm, lighting outward, 360° luminaires | 1900K | 2240LM | >80 >90 | 120° | DC24V | / | / | 90W |
| | | 2300K | 2360LM | | | | | | |
| | | 2700K | 2480LM | | | | | | |
| | | 3000K | 2610LM | | | | | | |
| | | 3500K | 2750LM | | | | | | |
| | | 4000K | 2890LM | | | | | | |
| | | 5000K | 3030LM | | | | | | |
| | | 6000K | 2890LM | | | | | | |

Remark :

1. the tolerance of output data can be vary up to 10%;
2. the output data is typical value;

Luminaire of 1.5m diameter and lighting outward matched with flexible diffuser

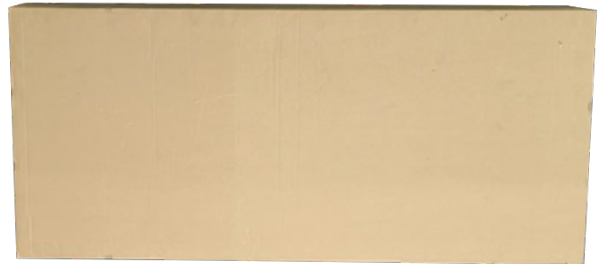


Chain GAS35 D1558

LED Linear **Outward** Light

Packing

The whole package



| Model | Type | Demension (individual package) | Pcs/bundle | NW (Kg) | GW (Kg) | Demension (whole package) | CBM (m³) |
|---|------|---------------------------------|------------|---------|---------|----------------------------|----------|
| GCCHA-GAS35-D1558-105W (pendant / including power supply) | Box | 1198*546*110mm | 1 | 5.87 | 7.76 | 1198*546*110mm | 0.072 |
| GCCHA-GAS35-D1558-90W (pendant / no power supply) | | | | 5.7 | 7.59 | | |
| GCCHA-GAS35-D1558-105W (surface mounted / including power supply) | | | | 4.87 | 7.66 | | |
| GCCHA-GAS35-D1558-90W (surface mounted / no power supply) | | | | 4.7 | 7.49 | | |