

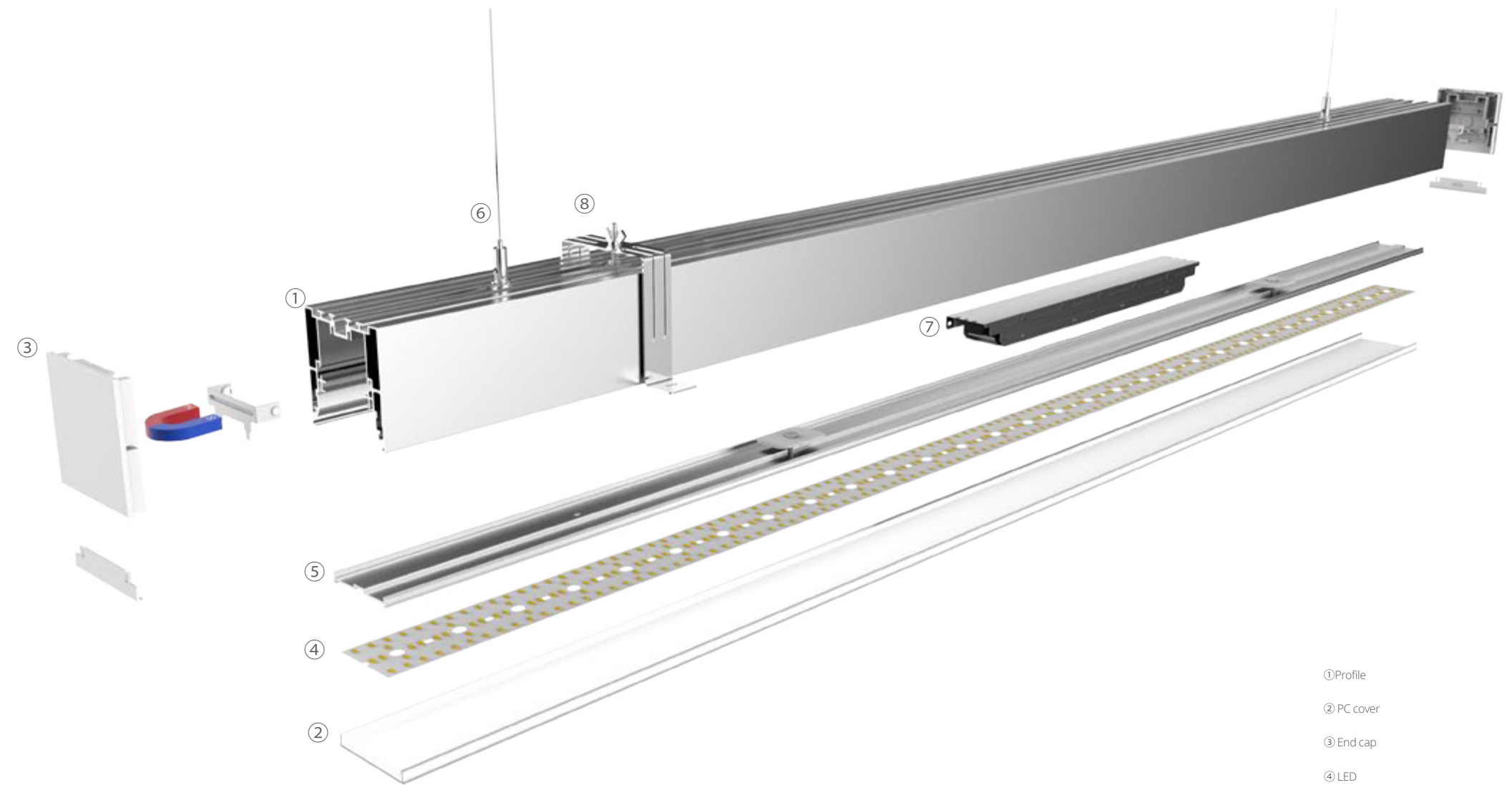
Chain GLS SERIES

Innovative magnet end cap, easy installation without screws;

Multi-corner connectors are available: 180 ° straight, L-type, T-type, X-type;

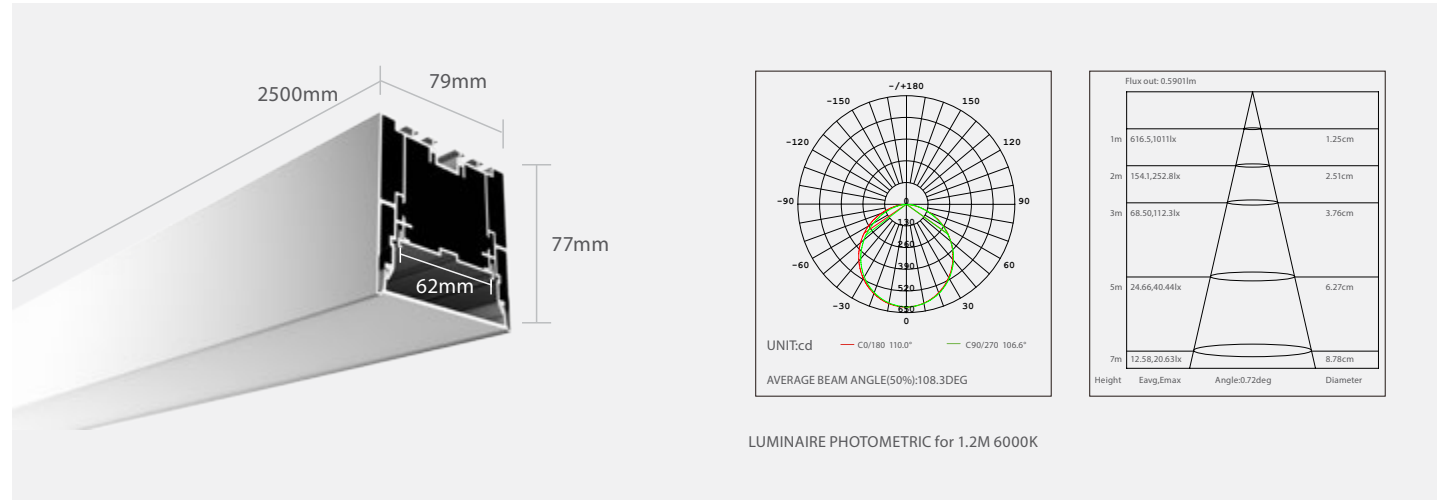
Built-in three-in-one dimming driver;

Various of customized services: customized colors, size, material and so on.



- ① Profile
- ② PC cover
- ③ End cap
- ④ LED
- ⑤ Carrier
- ⑥ Suspending accessories
- ⑦ Driver
- ⑧ Recessed accessories

GLS7977



Standard



GLS7977-PRx1



GLS7977-ECx2



GLS7977-CVx1



GLS7977-BKx3

Optional



GLS7977-PY



GLS7977-RE



GLS7977-CL



GD8420-59



GDY8420-62



GESD-V24-100S



GLS7977-180



GLS7977-L90



GLS7977-L90N



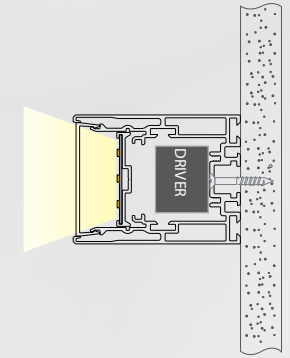
GLS7977-L90W



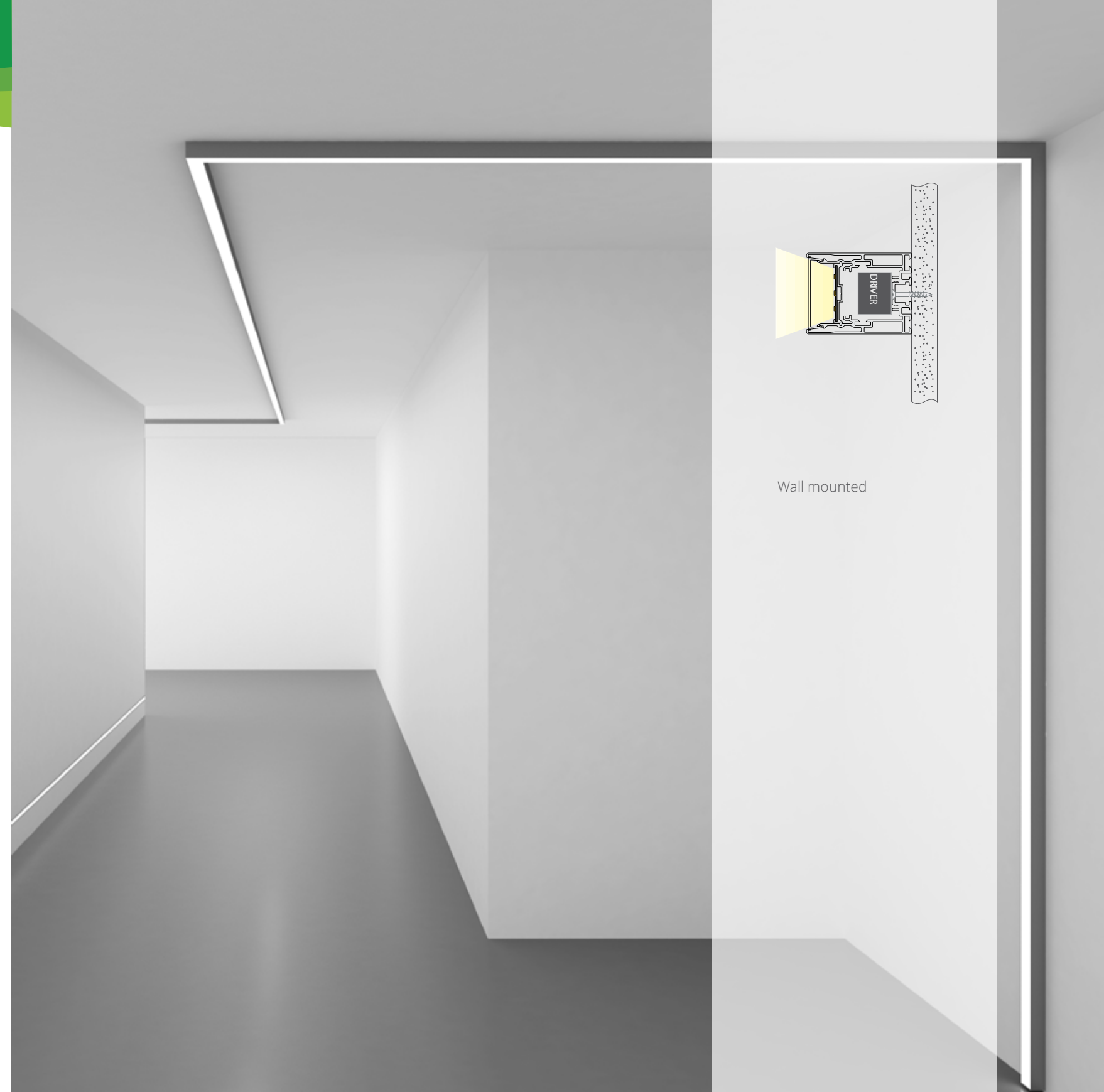
GLS7977-T90



GLS7977-X90



Wall mounted



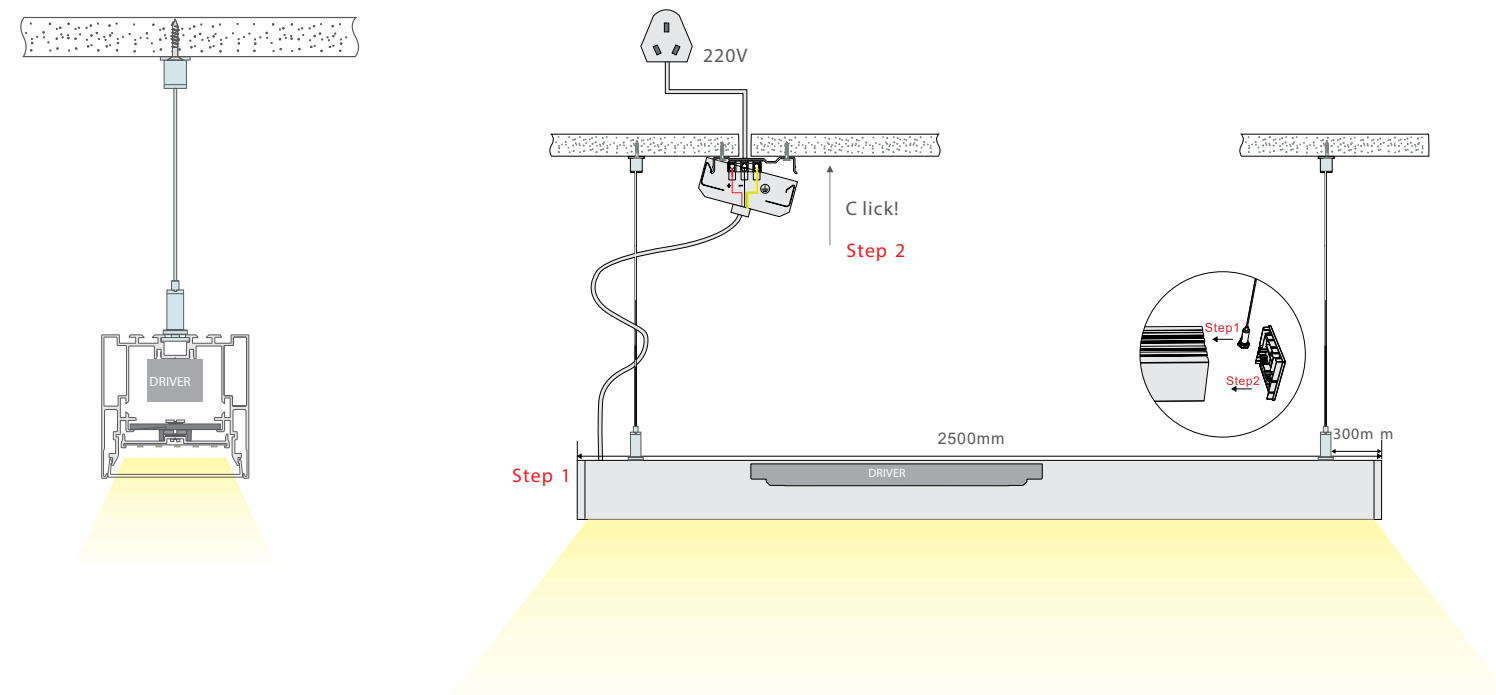
Chain GLS Series Installation

Pendant Diagram



Step1: Main body installation: profile + driver + LED + cover + end cap

Step2: Installation of canopy



Recessed Diagram

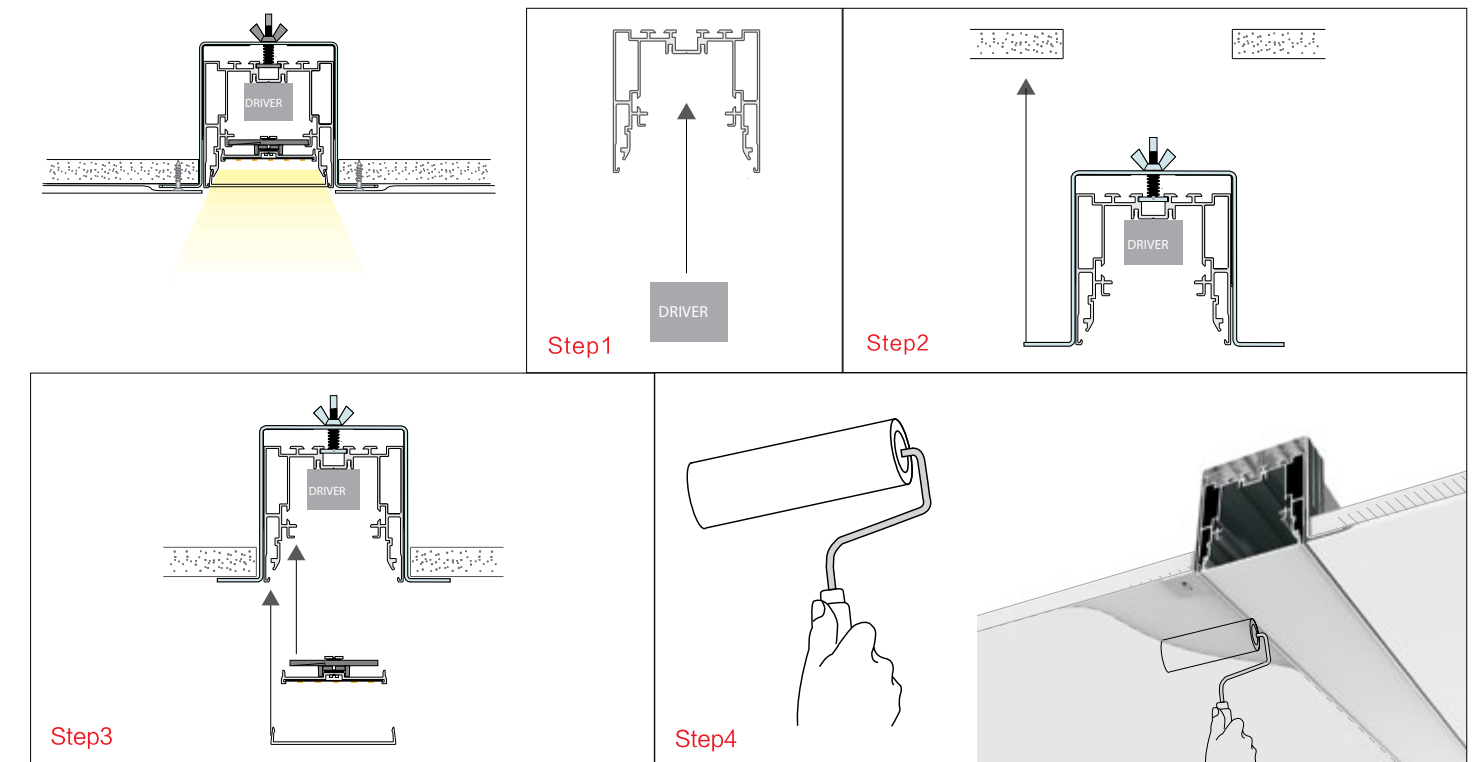


Step1: Installation of main profile + driver + end cap

Step2: Embedded installation

Step3: Install light source + cover

Step4: Paint

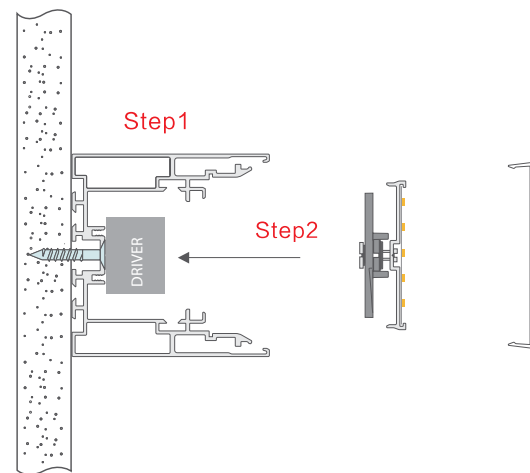
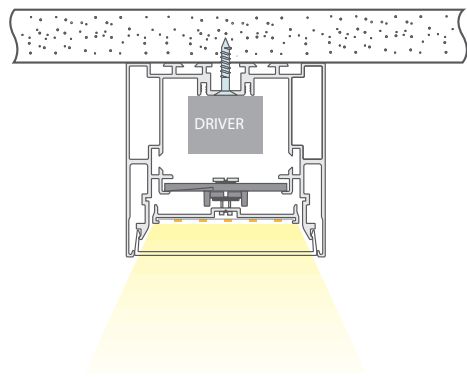


Surface Mounted / Wall Mounted Diagram



Step1: Profile fixed: profile + driver + end cap

Step2: Install LED + cover



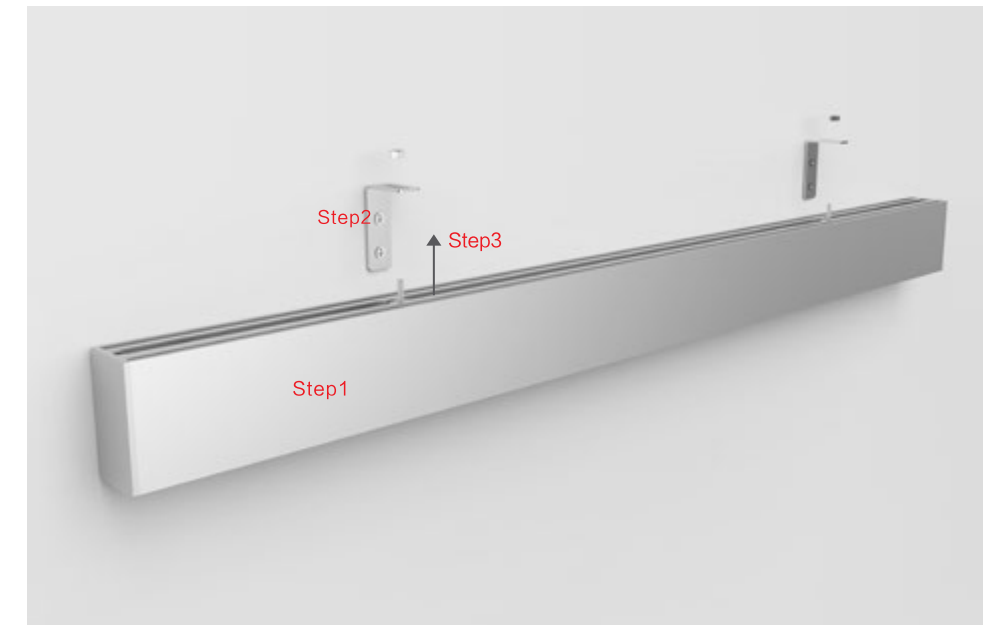
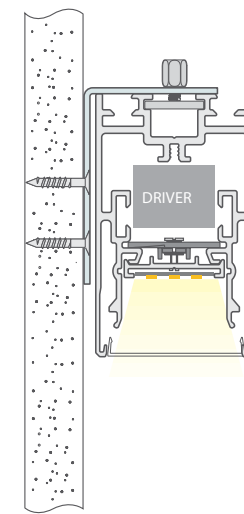
Wall Mounted Diagram



Step1: Body installation; Profile + driver + LED + end cap + cover

Step2: Fixed roof/wall hanging clamp

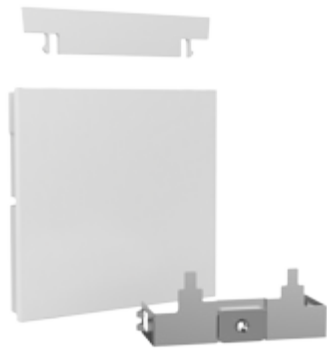
Step3: Install profile body



Chain Series Accessories Installation

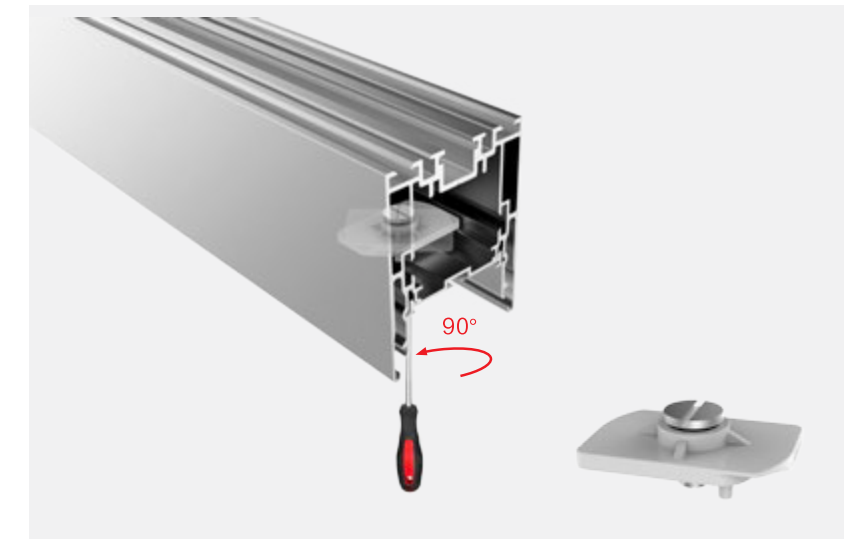
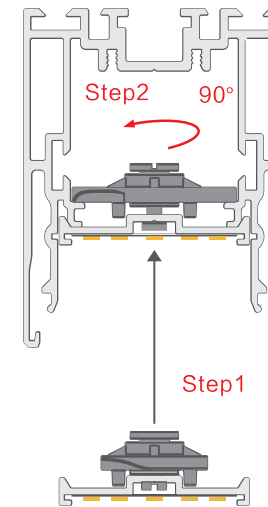
End Cap Component Installation Diagram

- Step1: install the end cap
- Step2: install the cover
- Step3: plug a small sub-mounting



Buckle Diagram

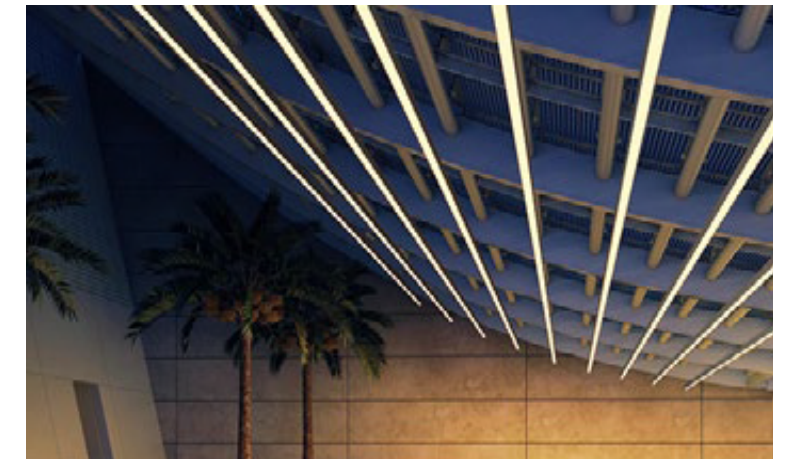
- Step1: Stick the strip on the carrier
- Step2: Rotate 90 ° clamping



Chain Series LED Linear Light



Home Lighting



Commercial Lighting



Office Lighting



Industrial Lighting

