



greenlux
cost reduction LED lighting

Jupiter Series Surface Mounted 01 LED Downlight

Available in Multiple Wattage
80% Lumen Maintenance at 50,000hrs

- No UV or IR rays. No mercury
- Surface mounted installation
- Adjustable angle
- High quality Sharp COB chipset
- High quality Class II SAA Eaglerise Driver
- High lumen output
- IP20 Rated
- 3 Years Warranty
- Applications are specific to cafes, restaurants, hotels, shopping centres, walkways, museums & display cases

Specifications

Colour Range	3000-6000k
Power Consumption	25W / 50W / 75W
Luminous Flux	2375lm ~ 7125lm
Input Voltage	100V/240V AC
Operating Temp.	-20°C to 40°C
Beam angle	38° ~ 55°
Ra	>90
Chipset	Sharp COB
Current	700mA
LED Driver	Class II SAA Eaglerise
IP Rating	IP20



Dimensions & Materials

Product Dimensions (mm)	25W	149 * 152 * 200
	50W	295 * 152 * 200
	75W	443 * 152 * 200

Housing Material Die-coated Aluminum + Clear Diffuser

Housing Colour White/Black





greenlux
cost reduction LED lighting

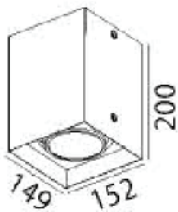
Jupiter Series Surface Mounted 01 LED Downlight

Available in Multiple Wattage
80% lumen maintenance at 50,000 hours

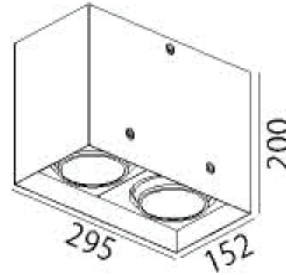


Dimensions

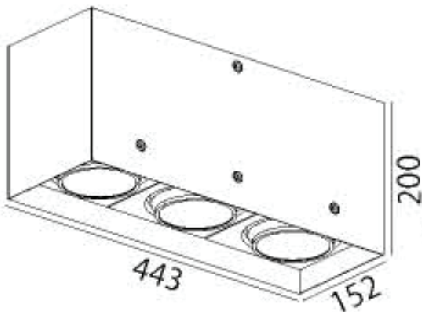
Single



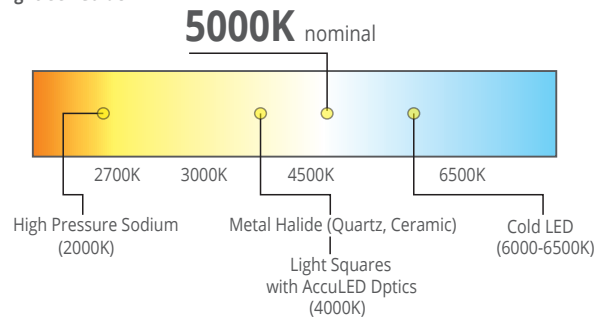
Twin



Trio



Light CCT Guide



Model

Model#	Dimensions (mm)	Current	Beam Angle	CCT	Lumens	Wattage	LED	Input Voltage
GJJUP-25W-S01	149*152*200	700mA	38° & 55°	3000-6000k	2375	25W	Sharp COB	100-240V
GJJUP-50W-S01	295*152*200	700mA	38° & 55°	3000-6000k	4750	2*25W	Sharp COB	100-240V
GJJUP-75W-S01	443*152*200	700mA	38° & 55°	3000-6000k	7125	3*25W	Sharp COB	100-240V