



greenlux
cost reduction LED lighting

Rio Series Fixed Angle LED Downlight

GURIO-8W-F

80% lumen maintenance at 50,000 hours



Fixed Angle



- Low UGR <19
- No UV or IR rays. No mercury
- Fixed Angle and Gimbal 25° Angle option available
- Dimmable and Non-Dimmable option available
- Superb dimming effect
- COB LED chips with high luminous flux
- Aluminum profile provides excellent thermal dissipation
- IP54 Rated
- 3 Years Warranty
- Applications include restaurants, offices, shops, schools, hotels & households. Also widely used for public areas such as stairways, lobby, receptions & corridors.

Dimming Range	8% ~ 100%
Beam angle	24° / 36° / 60°
Ra	>80
Power Factor	>0.9
Chipset	COB
Driver	Class II
Dimmable	Triac (option)

Specifications

Colour Range	2700-5000k
Power Consumption	8W
Lumen	80lm/W
Input Voltage	AC 100-240V

Dimensions & Materials

Product Dimensions (mm)	8W Ø80*55	Cutout Ø68-74
Housing Material	Aluminum Housing	





greenlux
cost reduction LED lighting

Rio Series Gimbal LED Downlight

GURIO-8W-G
GURIO-10W-G



Gimbal 25° Angle



- Low UGR <19
- No UV or IR rays. No mercury
- Dimmable and Non-Dimmable option available
- Superb dimming effect
- COB LED chips with high luminous flux
- Aluminum profile provides excellent thermal dissipation
- IP54 Rated
- 3 Years Warranty
- Applications include restaurants, offices, shops, schools, hotels & households. Also widely used for public areas such as stairways, lobby, receptions & corridors.

Specifications

Colour Range	2700-5000k
Power Consumption	8W / 10W
Lumen	80lm/W
Input Voltage	AC 100-240V

Dimming Range	8% ~ 100%
Beam angle	24° / 36° / 60°
Ra	>80
Power Factor	>0.9
Chipset	COB
Driver	Class II
Dimmable	Triac (option)

Dimensions & Materials

Product Dimensions (mm)	8W	Ø80*50	Cutout Ø68-74
	10W	Ø95*55	Ø82-88
Housing Material	Aluminum Housing		





greenlux
cost reduction LED lighting

Rio Series LED Downlight

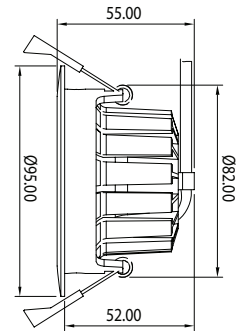
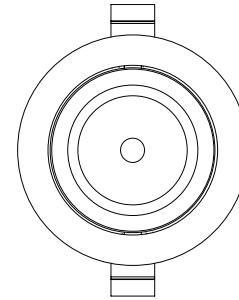
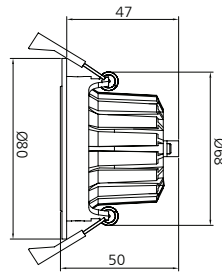
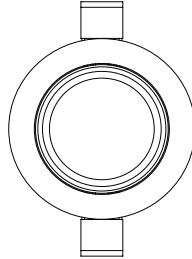
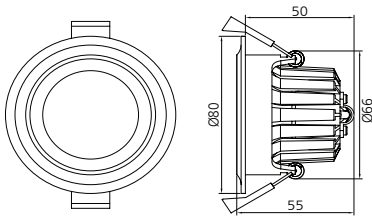
Available in Multiple Wattage
80% lumen maintenance at 50,000 hours

Dimensions & Photometrics

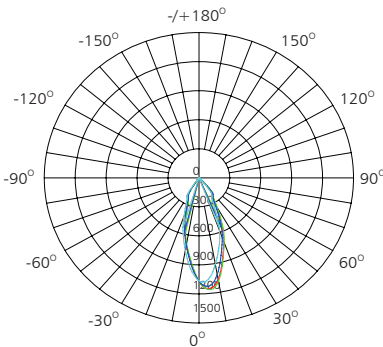
Fixed 2.5" 8W

Gimbal 2.5" 8W

Gimbal 3" 10W



8W

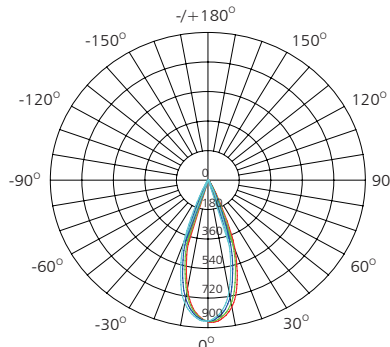


AVERAGE BEAM ANGLE (50%): 37.5 DEG

UNIT: cd

- C0/180, 37.5 deg
- C30/210, 37.2 deg
- C60/240, 37.5 deg
- C90/270, 38.0 deg

10W



AVERAGE BEAM ANGLE (50%): 39.5 DEG

UNIT: cd

- C0/180, 39.5 deg
- C30/210, 39.2 deg
- C60/240, 39.5 deg
- C90/270, 38.6 deg

Model#	Dimensions (mm)	Cutout (mm)	Beam Angle	CCT (k)	Lumens	Wattage	LED	Dimmer (option)
GURIO-8W-F	Ø80*55	Ø68-74	24°/36°/60°		640	8W	COB	Triac
GURIO-8W-G	Ø80*50	Ø68-74	24°/36°/60°	3000 4000 5000	640	8W	COB	Triac
GURIO-10W-G	Ø95*55	Ø82-88	24°/36°/60°		800	10W	COB	Triac