



**greenlux**  
cost reduction LED lighting

# UFO Series LED Linear High Bay Light

Available in 50W ~ 180W  
80% lumen maintenance at 50,000 hours

- Instant power reduction!
- 0% Mercury, 100% Environmentally friendly
- Excellent thermal management
- Cree or Bridgelux COB LED
- Meanwell Driver
- Beam angle 108 & 152 degree
- 3D Heatsink Design
- Dimmable 1-10V (option)
- Microwave Sensor available (option)
- Low maintenance
- 5 Year Warranty
- Applications ideal for factories, gyms, airports, petrol stations, overpasses and warehouses, car parks, loading decks

## Specifications

<b>Colour Range</b>	3000-6500k	
<b>Luminous Flux</b>	50W	5000lm
	100W	10000lm
	150W	15000lm
	180W	18000lm
<b>Input Voltage</b>	100-277V AC	
<b>Power Consumption</b>	50/100/150/180W	
<b>Power Factor</b>	0.98	
<b>CRI</b>	Ra 70	
<b>Operating Temp.</b>	-20°C to 50°C	
<b>Installation</b>	Hanging/Surface Mounted	
<b>Beam angle *10%</b>	108° & 152°	
<b>Sensor</b>	Microwave Standby Sensor	
<b>Dimmable</b>	1-10V	
<b>IP rated</b>	IP 65	



## Dimensions & Materials

<b>Dimension</b> (Not include Reflector)	50W	342*135*93mm
	100W	634*135*93mm
	150W	926*135*93mm
	180W	1218*135*93mm
<b>Weight</b>	2.4kg/4kg/5.5kg/7.6kg	
<b>Materials</b>	Cold-forged Pure Aluminium heat sink	

## Certification and Safety

<b>Certifications</b>	CE, RoHS, SAA, RCM, DLC UL, TUV, IES, LM-80, LM-79
<b>Environment</b>	Outdoor & Indoor Location
<b>Warranty</b>	5 years



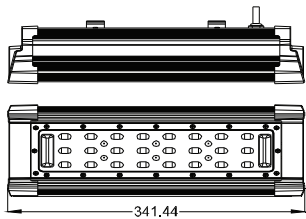


**greenlux**  
cost reduction LED lighting

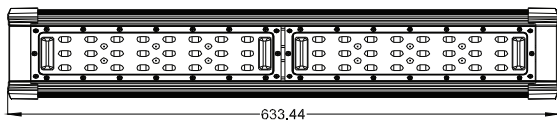
# UFO Series LED Linear High Bay Light

Available in 50W ~ 180W  
80% lumen maintenance at 50,000 hours

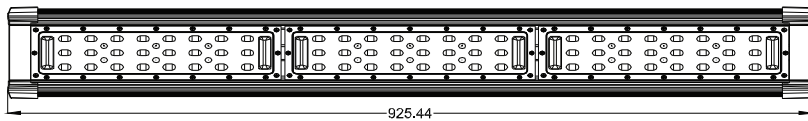
## Dimension & Photometrics



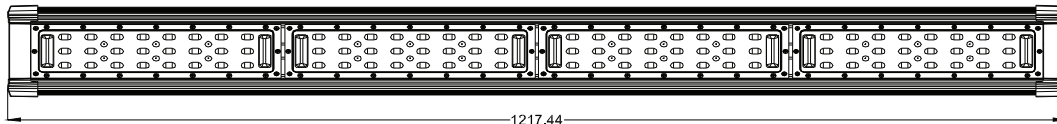
50W



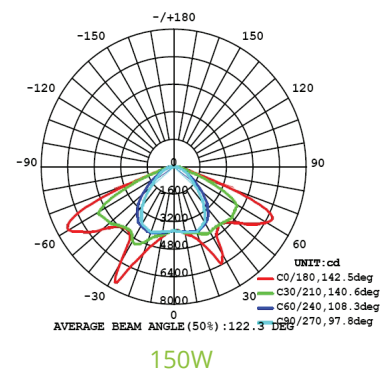
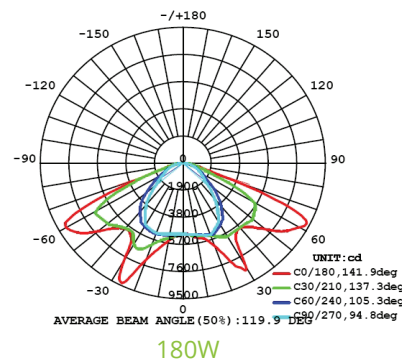
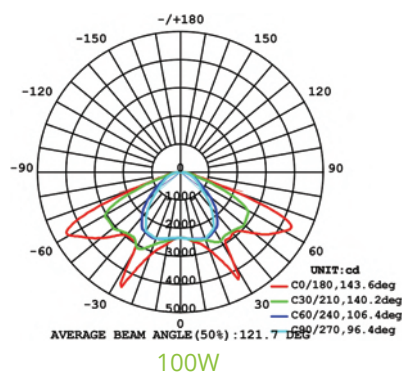
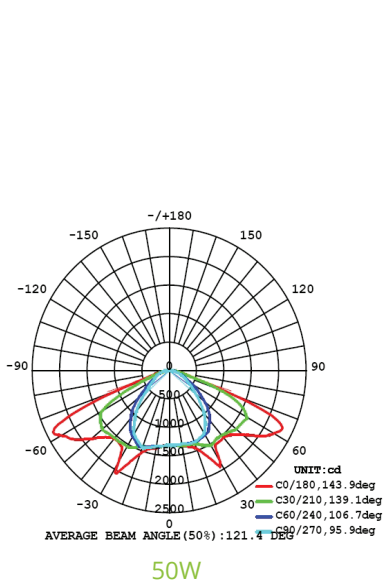
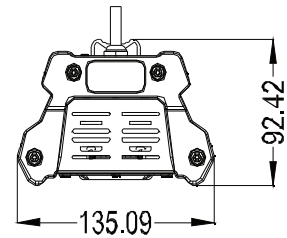
100W



150W



180W



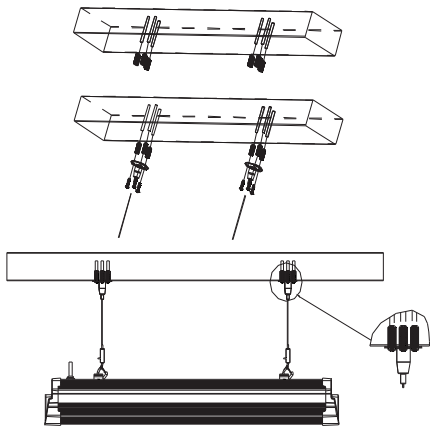


**greenlux**  
cost reduction LED lighting

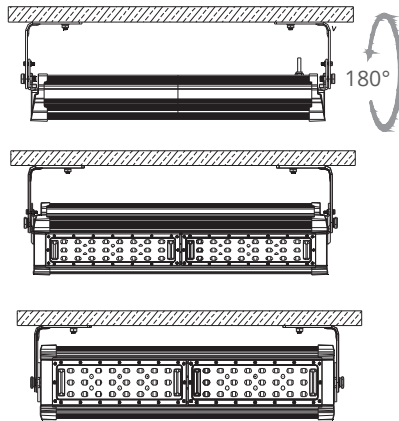
# UFO Series LED Linear High Bay Light

Available in 50W ~ 180W  
80% lumen maintenance at 50,000 hours

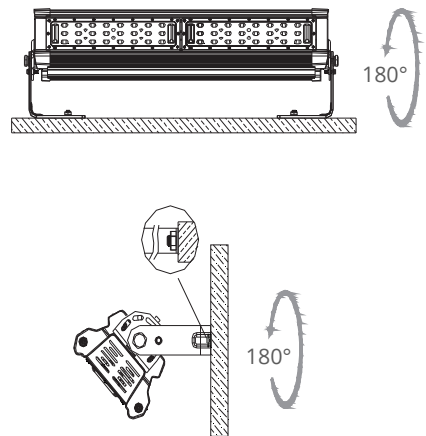
## Installation & Model



Hanging Installation



Ceiling Surface Mounted



Wall Mounted

Model#	Dimension (mm)	Beam Angle	CCT	Lumens	Wattage	LED
GSUFO-50W-LHB	342*135*93	108° & 152°	3000-6500k	5000	50W	CREE or Bridgelux
GSUFO-100W-LHB	634*135*93	108° & 152°	3000-6500k	10000	100W	CREE or Bridgelux
GSUFO-150W-LHB	926*135*93	108° & 152°	3000-6500k	15000	150W	CREE or Bridgelux
GSUFO-180W-LHB	1218*135*93	108° & 152°	3000-6500k	18000	180W	CREE or Bridgelux

