

Bravo 01 Series LED Wall Pack Light



Better solutions for a Led Wall Pack Light

-  **IP65 water-proof**
-  **AC100-277V 50/60Hz**
-  **Easy Installation**
-  **110Lm/w**



Options

Color
3000K
4000K
5700K

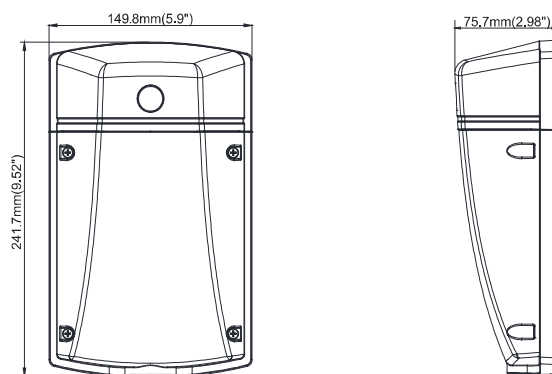
Application

LED Wall Pack Light series can be widely used as Exterior or interior LED lighting for Hotels, Garages, Commercial Buildings, Public areas, Schools and Hospitals, etc.

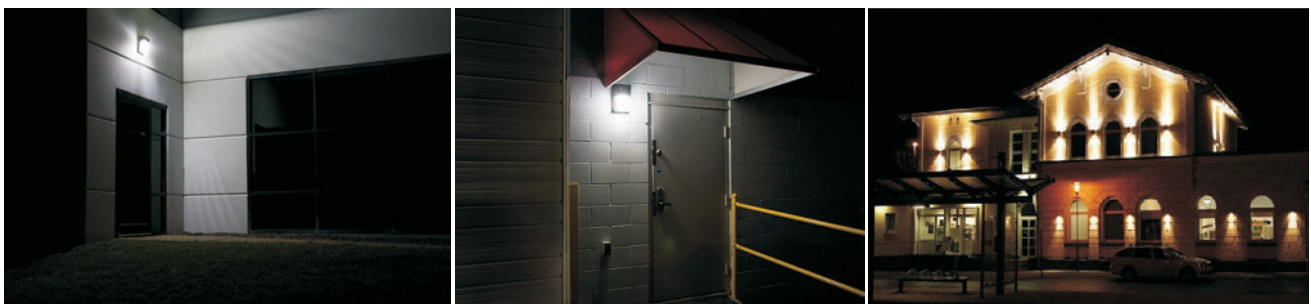
Specifications

Item	Power	Lumen	Leds	CRI	Weight	Beam Angle
GBBRA-20W-01	20W	2200Lm	LUMILEDS 3030	>80	1.2KG	120°
GBBRA-30W-01	30W	3300Lm	LUMILEDS 3030	>80	1.2KG	120°

Dimensions(mm)



20W/30W

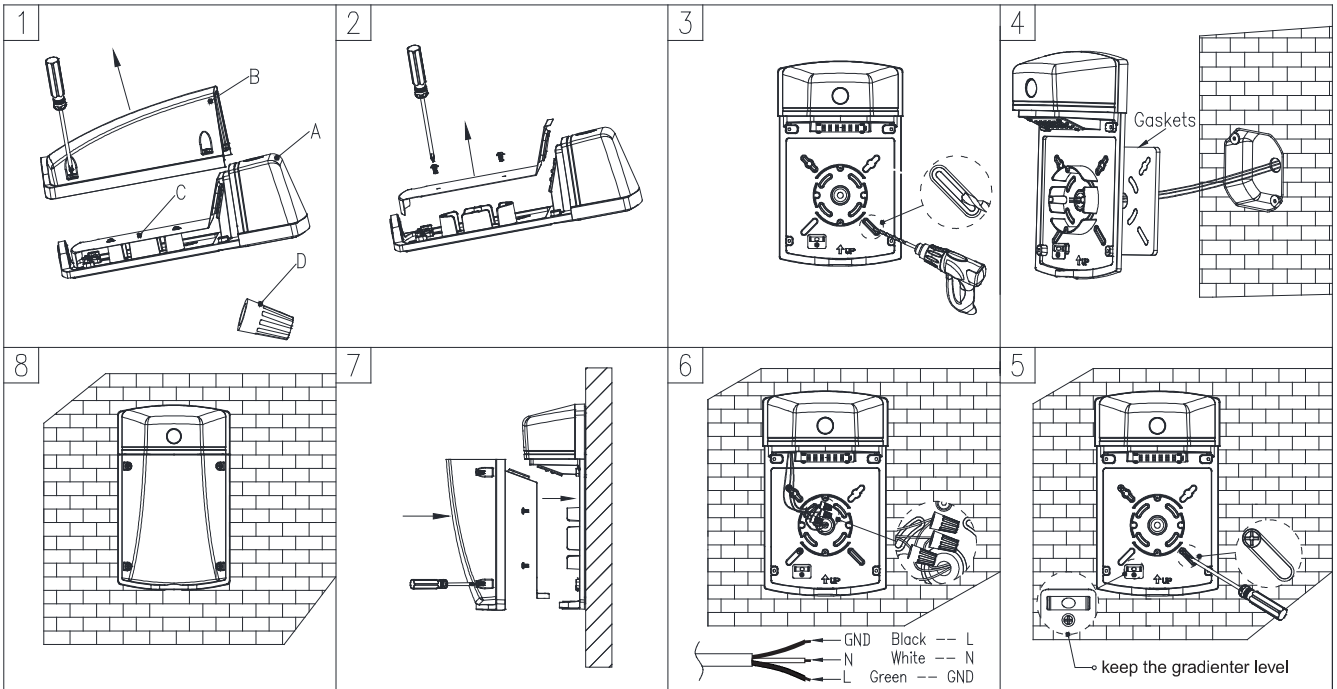


Bravo 01 Series LED Wall Pack Light



Installation

P1 Mounting with J-box



P2 Mounting with a 1/2" conduit at the bottom

