



greenlux
cost reduction LED lighting

Cusp Adjustable LED Track Spot Light



9W



23W

Specifications

Colour Range	2700 ~ 6500K
Power Consumption	9W / 23W
Lumens	810 / 2070lm
Input Voltage	100V ~ 240V AC
Chipset	COB
Beam angle	15° / 20° / 30° / 38°
Power Factor	>0.9
Dimmer (option)	Triac / 0-10V / Dali
CRI	80 or 90 (option)
Driver	Class II SAA

- Eco-friendly. No UV or IR rays. Low UGR<19
- Adjustable 350° in horizontal direction, 90° in vertical direction
- High quality COB light source
- Performs high efficiency and energy saving, Up to 80% energy saving compared to standard CFL
- Replaces traditional track lights
- IP20 for indoor use only
- 5 Years Warranty
- Applications include shopping centres, galleries, cafes, hotels, theatres, museums & display cases

Dimensions & Materials

Product Dimensions (mm)	9W	Ø63*181	(W*L)
	23W	Ø80*207	(W*L)

Housing Materials Aluminium + Powder Coating

Housing Colour White





greenlux
cost reduction LED lighting

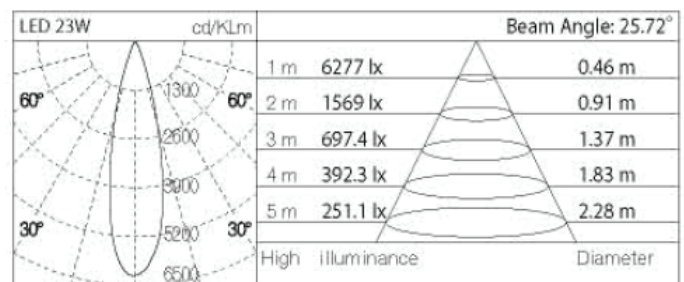
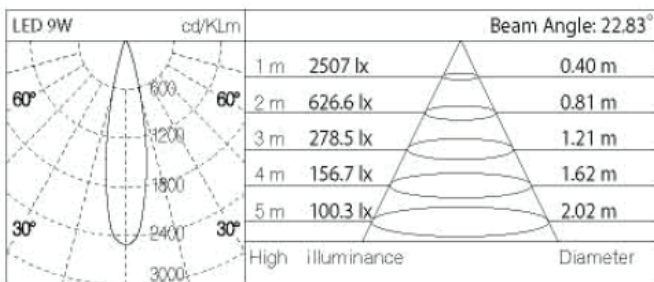
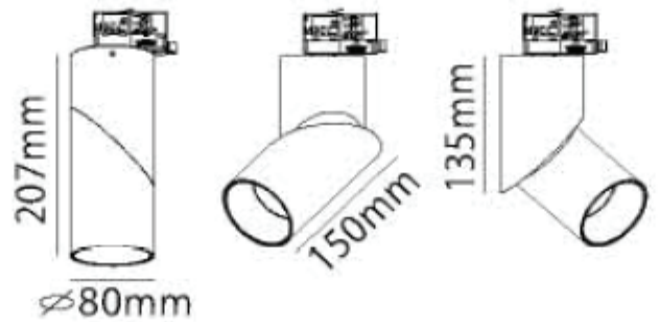
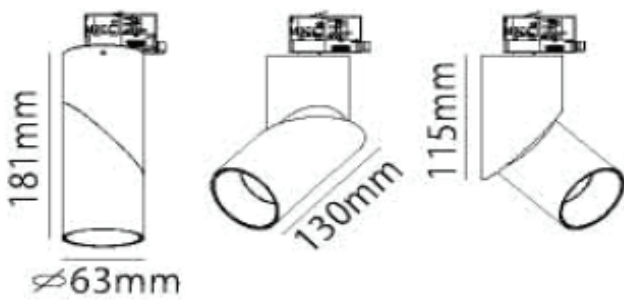
Cusp Adjustable LED Track Spot Light

Dimensions & Photometrics

9W



23W



Model#	Dimensions (mm)	IP Rating	Beam Angle	CCT (k)	Lumens	Wattage	LED	Dimmer (option)
GJCUS-9W-A	Ø63*181	IP20	20°/30°/38°	3000 4000	810	9W	COB	Triac Dali
GJCUS-23W-A	Ø80*207		15°/30°/38°	5000 6000	2070	23W		0-10V