

Lenson Mini Outdoor LED Wall Light



GKLEN-1W-M

GKLEN-2W-M

LED Colour Temperature

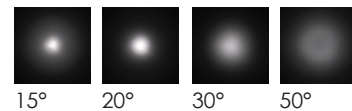
- 2000K
- 3000K
- 4000K
- 5000K
- 6000K

Optics

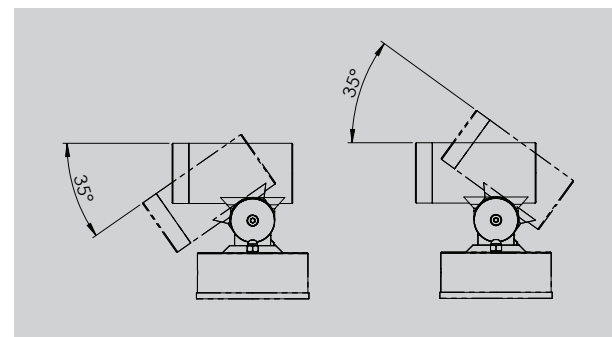


B17
L0115D020ME 15°
L0120D020ME 20°
L0130D020ME 30°
L0150D020ME 50°

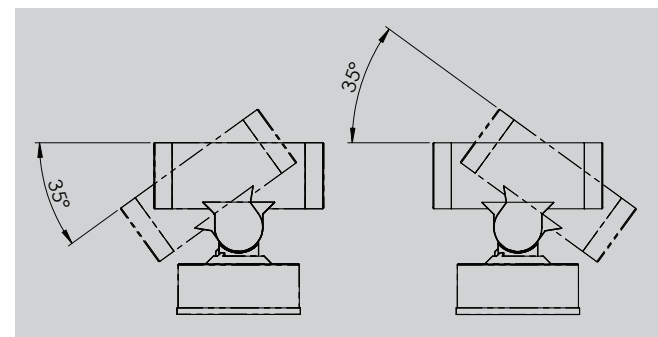
B17



Adjustable beam direction

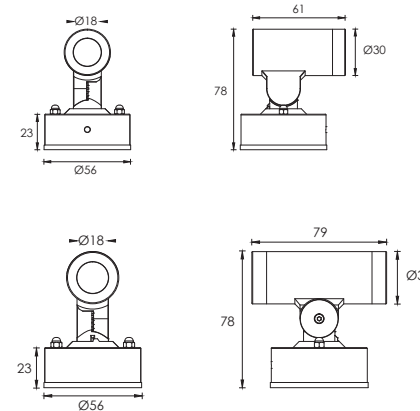


GKLEN-1W-M



GKLEN-2W-M

Outer Dimensions



GKLEN-1W-M

GKLEN-2W-M

Material specifications

Housing	12" Die-casting dark grey powder coated aluminum. T=60-80µm. Adhesion of ISO class 1/ASTM class 4B
Lens	Optical lens, efficiency≥85%
PC cover	UV-Resistance PC, T=3.5mm
LED Driver	Constant Voltage Input, Constant Current Output
PCB	Excellent heat conductivity aluminum, coefficient of heat conductivity≥2.0w/mk
LED	OSRAM
Operating temperature	-20°C~40°C
Power Cable	AWM 1A 105°C 600V 18AWG FTI L=300mm
Mounting base	Powder coated die-casting aluminum
Dimmable Support	Triac PWM 1-10V Dali

Housing color option



Item	Light source	Lens	The manufacturer selected lens degree(°)Ø1/2	Input voltage(V)	Typical operating current(mA)	Typical consumption(W)	Typical luminance(lm)	IK rate
GKLEN-1W-M	1×1W	B17	30°	24V DC	48	1.2	Cool white=100 Warm white= 83	02
GKLEN-2W-M	2×1W	B17	30°	24V DC	91	2.2	Cool white=100×2 Warm white= 83×2	02

