



greenlux
cost reduction LED lighting

Vera Series LED Floodlight

Available in Multiple Wattage
80% lumen maintenance at 50,000 hours

- Instant power reduction!
- 0% Mercury, 100% Environmentally friendly
- 0~340° rotatable
- No IR or UV radiation, low heat generation
- Flexible modular design
- Advanced thermal management
- High quality COB chipset
- High lumen output at 80lm/W
- Applications include grandstands, stadiums, museums, sculptures, clubs, bars and restaurants



Specifications

Colour Range	3000-6500K
Power Consumption	20W/30W/50W
Lumen Output	1600/2400/4000lm
Input Voltage	AC 100 ~ 240V
Power Factor	>0.9
Operating Temp.	-20°C to 50°C
Humidity	0 ~ 95%
Beam angle	30°/60°/90°
CRI	>70
Chipset	COB
Driver	Class II SAA

Dimensions & Materials

Product Dimensions (mm)	20W	190 * 189 * 37
	30W	238 * 233 * 40
	50W	298 * 284 * 45
Housing Material	Aluminum Alloy	
Housing Color	Black / Gery	

Certification and Safety

Certifications	IP65, CE, RoHS, SAA, RCM
Environment	Outdoor Location
Warranty	5 years



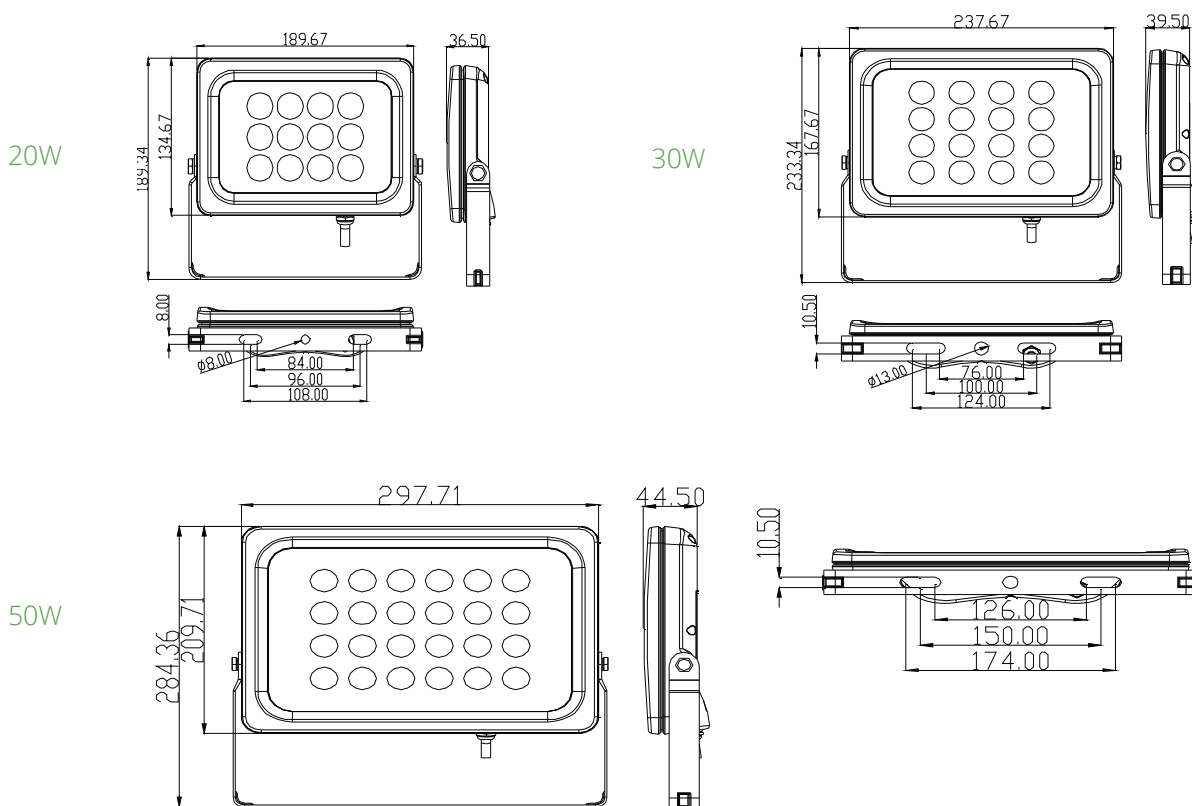


greenlux
cost reduction LED lighting

Vera Series LED Floodlight

Available in Multiple Wattage
80% lumen maintenance at 50,000 hours

Dimensions



Model

MODEL	DIM	Wattage (W)	Voltage (V)	Life-time (hrs)	CCT (k)	Lumen	Beam Angle (°)	Size (mm) (LxWxD)	Surface Colour
GBVER-20W	No	20W	100/240	50,000	3000-6500	1600	30/60/90	190*189*37	Black/Grey
GBVER-30W	No	30W	100/240	50,000	3000-6500	2400	30/60/90	238*233*40	Black/Grey
GBVER-50W	No	50W	100/240	50,000	3000-6500	4000	30/60/90	298*284*45	Black/Grey