

Kasa 02 LED High Bay Light

Build-in Sensor Available

Specifications

Power	80W ~ 200W
Colour Range	4000 / 5000K
Lumen	150 / 165 / 180lm/W
Input Voltage	AC100 ~ 277V
Power Factor	>0.95
Beam angle	60° / 70° / 90° / 120°
CRI	>80
Heatsink	Aluminium Alloy
Sensor	UL certified 100-277V microwave sensor kit with Merrytek 054V Max 15m high
Mounting	Hook Pole Bracket
Dimmable	1-10V (option)
Housing Colour	Black / White
Accessory	70° PC Reflector Build-in Sensor model only suitable for 70° PC Reflector 60° Aluminium Reflector 90° Aluminium Reflector 120° without Reflector



Kasa 02 LED High Bay Light

Build-in Sensor Available

Finish

Five-step, super durable TGIC paint material help resist all tough weather conditions while providing optimal color maintenance

Optics

Available with 3 different types high quality reflectors and 2 lens to control the beam angle and low glare

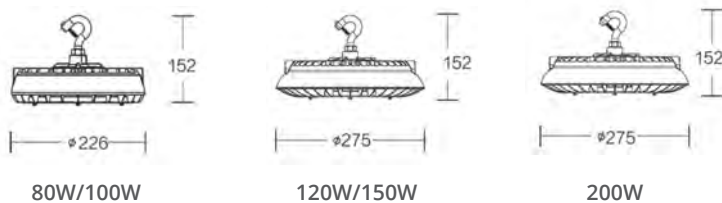
Construction

Aluminum alloy made heatsink features hollow fins to optimize thermal management which also result in less dust accumulation and light weight

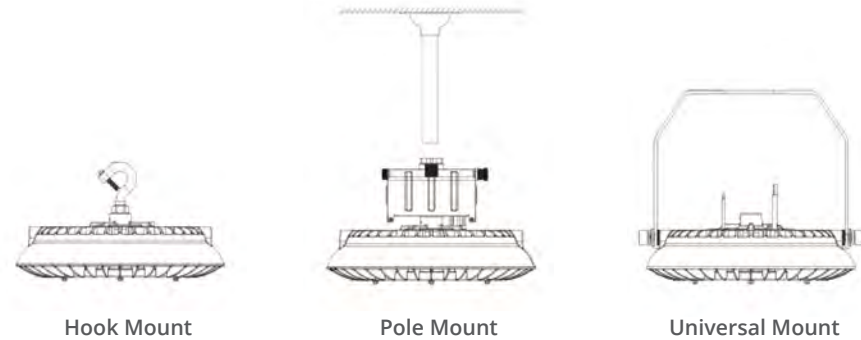
Less Shipping Cost

The innovative embedded driver solution which makes the total volume weight only half of traditional highbay

Dimension



Installation



Photometric



MODEL	Wattage (W)	Voltage (V)	CCT (K)	Lumen (165lm/W) (5000K)	Beam Angle	Size (mm) (LxWxD)	Surface Colour
GBKAS-80W-02	80W	100-277	4000/5000	13040	60°/70°/90°/120°	Ø226*152	Black/White
GBKAS-100W-02	100W	100-277	4000/5000	16400	60°/70°/90°/120°	Ø226*152	Black/White
GBKAS-120W-02	120W	100-277	4000/5000	19680	60°/70°/90°/120°	Ø275*152	Black/White
GBKAS-150W-02	150W	100-277	4000/5000	24750	60°/70°/90°/120°	Ø275*152	Black/White
GBKAS-200W-02	200W	100-277	4000/5000	33000	60°/70°/90°/120°	Ø275*152	Black/White

Kasa 02 LED High Bay Light



Sensor Kit



Adjustable bracket



Wire guard



PC lens 60&90°