



Steel 02 LED Bollard



Bollard Light

LED Colour Temperature

3000K
6000K

Optics

N/A

LED and Driver Module



Optional Base

1. Standard/Built-in Base
SB00130



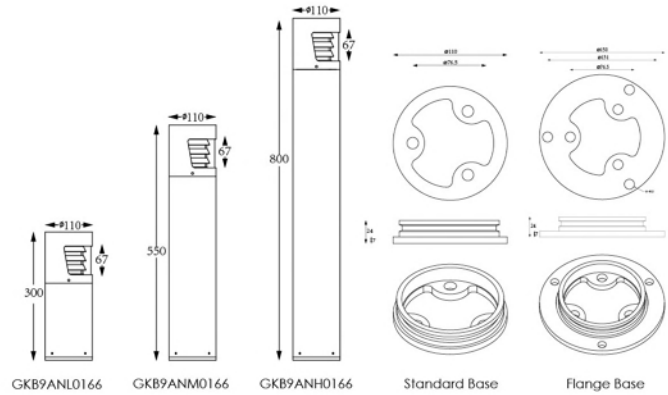
2. Flange Base
FB00130



Flange base is an optional part which you need to remove the standard base before the assembling.

Outer Dimension

Unit:mm



Housing Color Option

Basic	Secondary	
Sanded Black RAL9005	Light Sanded Grey RAL7038	Dark Grey RAL7037

Material Specifications

Housing	T=60-80um Adhesion of ISO class 1/ASTM class 4B 12 [#] Die-casting powder coated aluminum.
Light window	PMMA
LED	SMD3535 type LED
LED Driver	Constant Voltage Input, Constant Current Output
Operating temperature	-20°C~40°C
Power cable	H05RN-F 3×1.0mm ² L=0.3m(high voltage/short) H05RN-F 3×1.0mm ² L=0.5m(high voltage/medium) H05RN-F 3×1.0mm ² L=1.0m(high voltage/high)
Base	Standard Base Flange base
Dimmable Support	Triac PWM 1-10V Dali

Item	Light source	Input voltage(V)	Typical operating current(mA)	Typical consumption(W)	Typical luminance(lm)
GKB9ANL0166 GKB9ANM0166 GKB9ANH0166	1X 6W	120/240	120V = 108 240V = 60	120V = 7.7 240V = 8.1	Cool white =150 Warm white=130

