



Steel 07 LED Bollard



Bollard Light

LED Colour Temperature

Optics

3000K
6000K

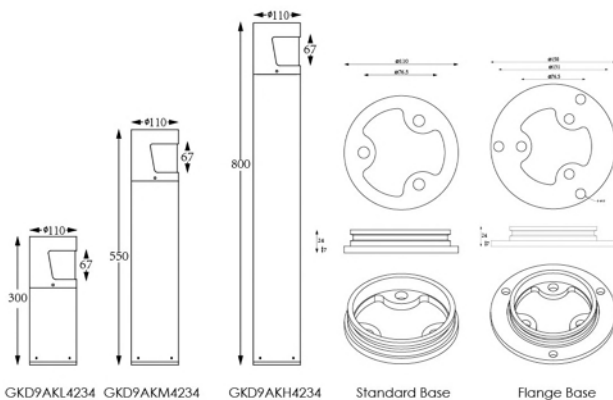
N/A

LED and Driver Module



Outer Dimension

Unit:mm



Optional Base

1. Standard/Built-in Base
SB00130

2. Flange Base
FB00130

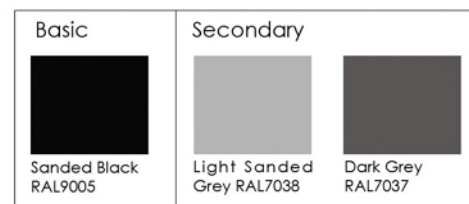


Flange base is an optional part which you need to remove the standard base before the assembling.

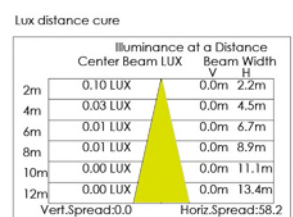
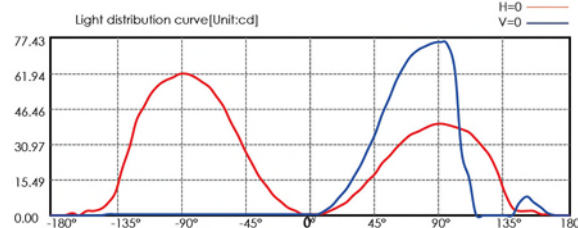
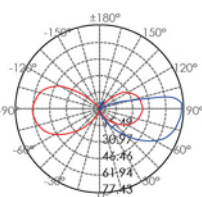
Material Specifications

Housing	T=60-80um Adhesion of ISO class 1/ASTM class 4B 12 [#] Die-casting powder coated aluminum.
Light window	PMMA
LED	SMD3030 type LED
LED Driver	Constant Voltage Input, Constant Current Output
Operating temperature	-20 ^o C~40 ^o C
Power cable	H05RN-F 3×1.0mm ² L=0.3m (high voltage/short) H05RN-F 3×1.0mm ² L=0.5m (high voltage/medium) H05RN-F 3×1.0mm ² L=1.0m (high voltage/high)
Base	Standard Base Flange base
Dimmable Support	Triac PWM 1-10V Dali

Housing Color Option



Item	Light source	Input voltage(V)	Typical operating current(mA)	Typical consumption(W)	Typical luminance(lm)
GKD9AKL4234	42X 0.2W	120/240	120V = 73	120V = 8.6	Cool white =450
GKD9AKM4234			240V = 41	240V = 9.0	Warm white=397
GKD9AKH4234					



Feature

Aluminum Alloy housing in IP65 Modular System.

PMMA Acrylic – UV resistant Acrylic with a 5.0mm thickness.

LED – High Efficiency OSRAM with CRI > 80.

Isolated Driver – Modularized driver in a potted box for a better protection and easier replacement.

