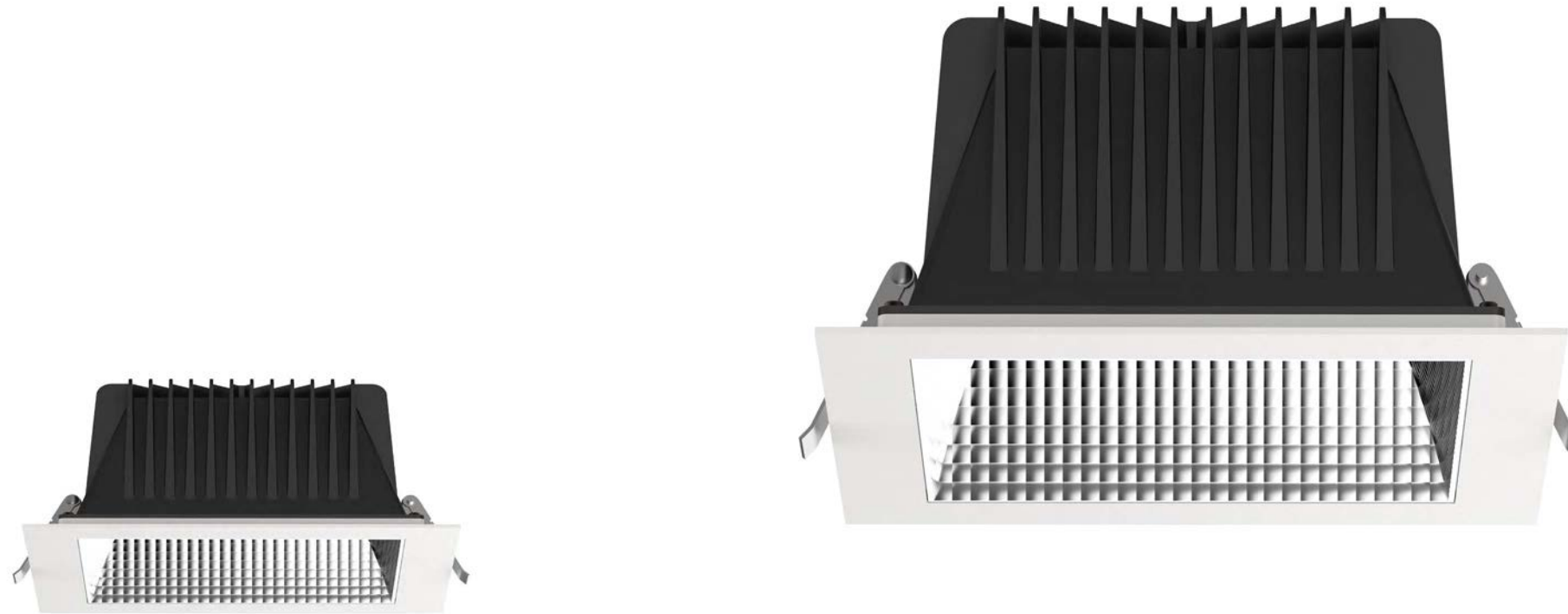


# Rubix 03 LED Recessed Downlight



## Introduction

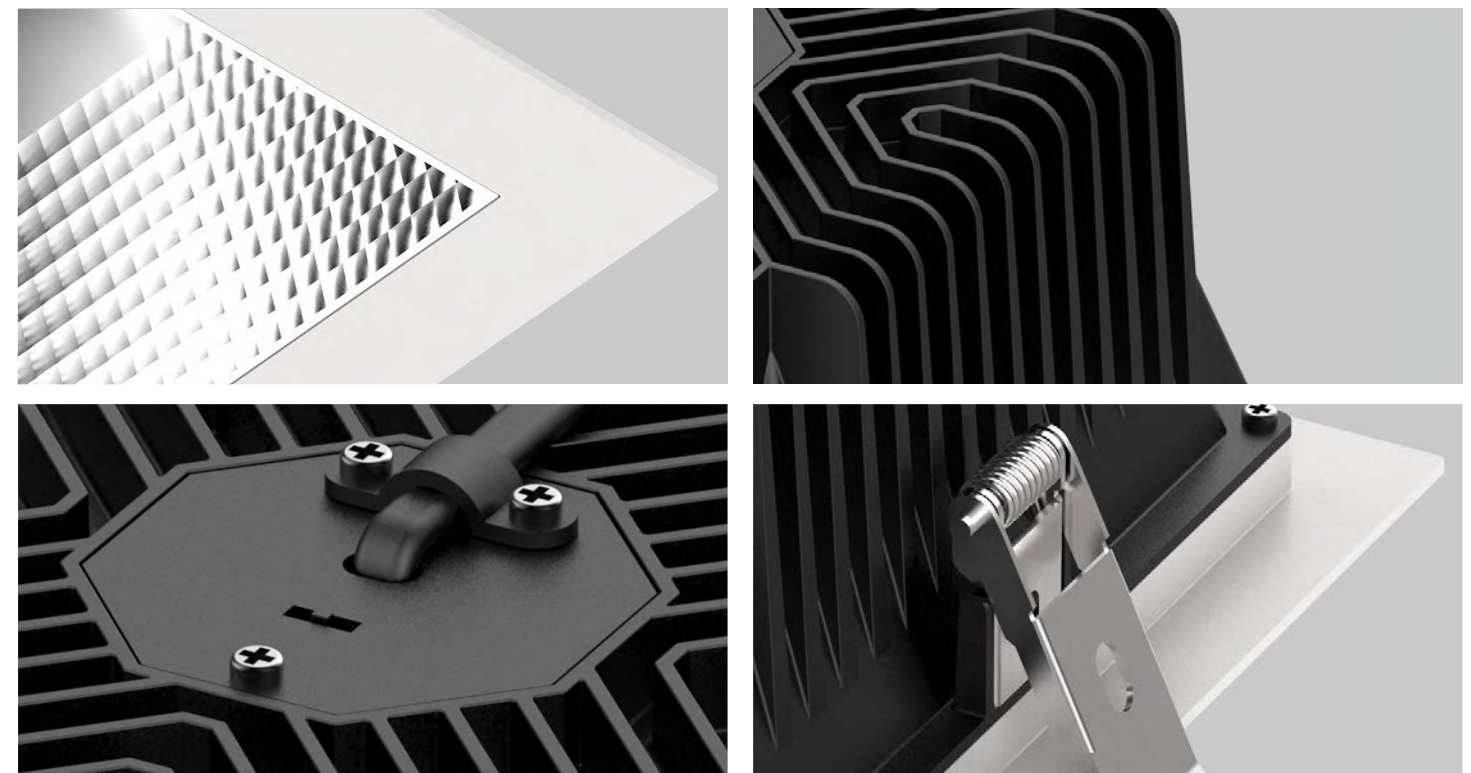
Rubix 03 LED downlight with traditional deep reflector that provides perfect combination of high lighting efficiency, comfortable lighting and humanization design, without compromising on lighting performance ( color rendering and color uniformity). CCT changeable function is available. It offers a wide choice of options for creating the desired ambience.

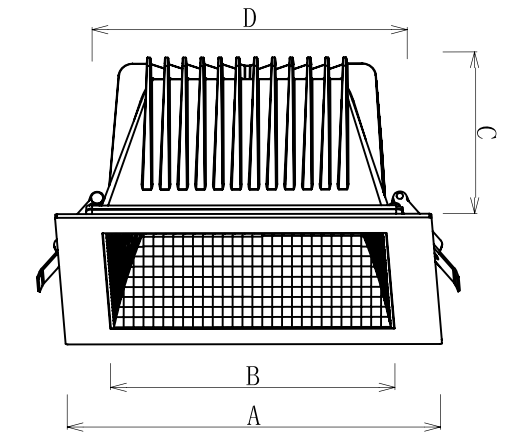
## Features

- Deep reflector design with anti-glare effect
- Die-casting housing provides excellent heat dissipation performance
- Interchangeable CCT(3000K/4000K/5700K) with slide switch
- IP44 waterproof for indoor use only
- Triac/0-10v/Dali dimming
- External driver

## Application Areas

It is suitable for supermarket, specialty store, show window, exhibition hall, etc.





## Technical Data Sheet

Model No.	GURUB-18W-03	GURUB-22W-03	GURUB-25W-03	GURUB-32W-03		
Dimension(mm)	190*190*102mm					
Cutout (mm)	170*170mm					
Watt(W)	18W	22W	25W	32W		
Rated Input Voltage(V)	AC230V					
Input Voltage(V)	AC220-240V					
LED Module Input	DC33-38V					
Light Source	SMD					
SDCM	<6					
CCT(K)	1-CCT: 3000K/4000K/5000K/5700K    3-CCT: 3000K + 4000K + 5700K					
CCT Selection DIP Switch	YES					
Luminous Flux (lm) ±5%	Non-DIM	1-CCT	1600 ~ 1750 Lm	1930 ~ 2070Lm	2200 ~ 2350Lm	2780 ~ 2910Lm
			DIM	1550 ~ 1700 Lm	1900 ~ 2040Lm	2150 ~ 2300 Lm
	Non-DIM	3-CCT	1620 ~ 1760 Lm	1930 ~ 2120Lm	2200 ~ 2420 Lm	2750 ~ 3070 Lm
			DIM	1580 ~ 1720 Lm	1900 ~ 2080Lm	2150 ~ 2370 Lm
CRI	>80					
Beam Angle (°)	60°					
UGR	<19	<19	<20	<20		
LED Driver	Built-out					
Dimming Option	Triac / DALI / 0-10V					
Sensor	-					
Emergency Kits	-					
Electrical Class	Class II					
Ingress Protection (IP Rating)	IP40(for other part) / IP44(only for the LED cover)					
Impact Resistance (IK Rating)	IK06					
Product Finishing(Base)	White RAL 9016/Black RAL9005					
Materials of Optics	PMMA					
Materials of Housing	Aluminium /PC+ABS					
Lifetime (hr)	50,000h					
Glow wire test ( °C )	650 °C					
Operating Temp. ( °C )	-20 °C ~45 °C					
Storage Temp. ( °C )	-20 °C ~65 °C					
Installation	Recessed					

## Measurement

Inch	Dimension(mm)				Size(mm)	Product Weight (Kg)	
	A	B	C	D		N.W/PC	G.W/PC
6"	190	140	102	170	190*190*102	1.02	1.3

## Driver Datasheet (Non-Dimmable)

Total load wattage		18W	22W	25W	32W
Output	Output Voltage range	DC28-40V			
	Rated output current	460mA	550mA	600mA	850mA
	Line Regulation	±5%			
	Setup, Rise Time	0.5S			
	Flickering Index	<10%			
Input	Input Voltage	AC220-240V			
	Rated Input Voltage(V)	AC230V			
	Frequency	50/60Hz			
	Input Current	≤0.11A	≤0.12A	≤0.13A	≤0.18A
	Rated Input Current	0.09A	0.11A	0.12A	0.15A
	Power Factor	0.9			
	THD	<20% @230V			
	Efficiency	≥78%	≥80%	≥82%	≥82%
No load wattage	<1W				

## Driver Datasheet (Triac Dimmable)

Total load wattage		18W	22W	25W	32W
Output	Output Voltage range	DC23-40V			
	Rated output current	430mA	550mA	600mA	800mA
	Line Regulation	±5%			
	Setup, Rise Time	<1S			
	Flickering Index	-			
Input	Input Voltage	AC200-240V			
	Rated Input Voltage(V)	AC230V			
	Frequency	50Hz			
	Input Current	≤0.1A	≤0.13A	≤0.14A	≤0.18A
	Rated Input Current	0.09A	0.11A	0.13A	0.16A
	Power Factor	0.9			
	THD	<20% @230V			
	Efficiency	≥85%			
No load wattage	<1W				